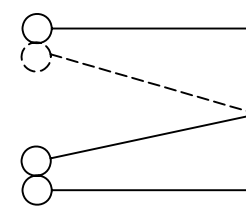
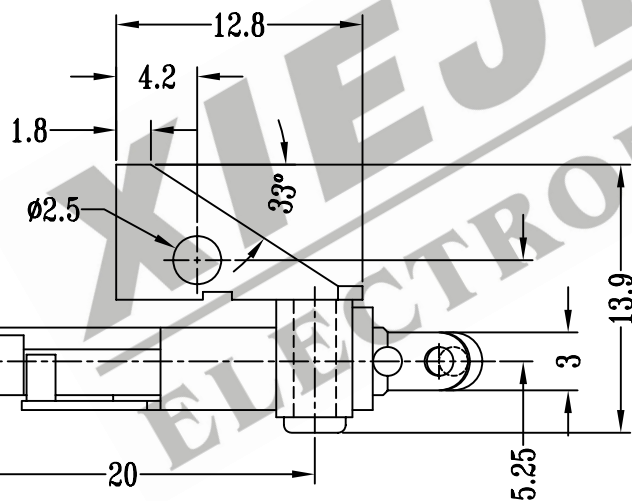
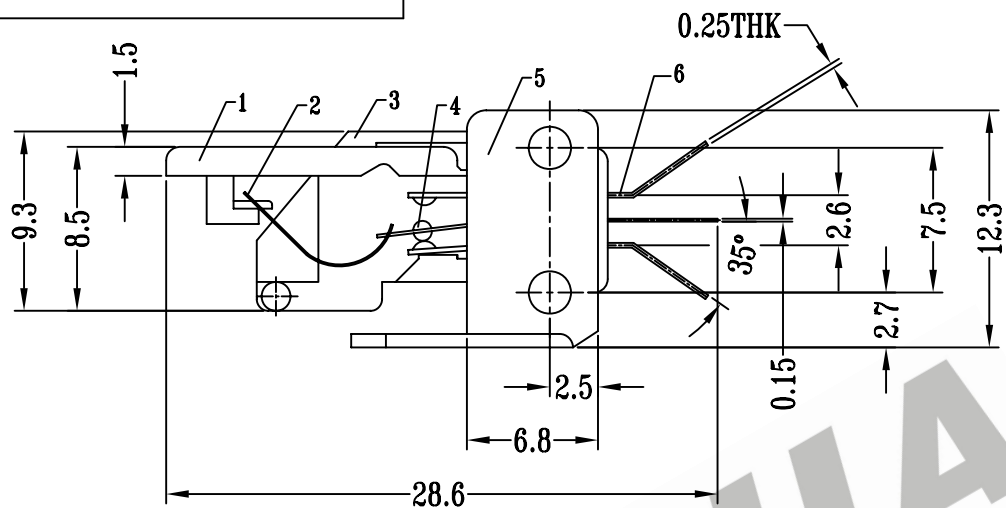


CAD FILE:



SCHEMATIC

MODEL	SPRING PLATE
LF-89	G=GOLD
	N=NICKEL
	S=SILVER
	X=NIL

8	RIVET	ALUMINUM	1	NATURAL	TOLERANCE UNLESS SPECIFIED	SHENZHEN XIEJIA ELECTRONICS CO.,LTD.				
7	SPRING TERMINAL	PBS STRIP	1	NATURAL						
6	TERMINAL	BRASS STRIP	2	Ag PLATED OVER Ni PLATED	WITHIN: 1.5±0.1mm	ISSUE	DATE	DESCRIPTIONS OF REVISION		APPD.
5	FRAME	STEEL STRIP	1	Ni PLATED	OVER : 1.5±0.2mm					
4	CONTACT	SILVER	1	NATURAL	TITLE : LEAF SWITCH		UNIT : mm	DRWG NO.: XJ-DR-LF89-00		
3	CASE	POM	1	BLACK	MODEL: LF-89		SCALE: 3:1	DWN.	ZHOUYU	2001-5-8
2	SPRING PLATE	PBS STRIP	1	NATURAL	ALL MATERIALS MUST BE COMPLIANT TO ROHS			CHK'D	FANGYING	2001-5-8
1	KNOB	POM	1	BLACK				APPD.	KANGXINAN	2001-5-8
NO.	PARTS	MATERIALS	Q'TY	FINISH						